

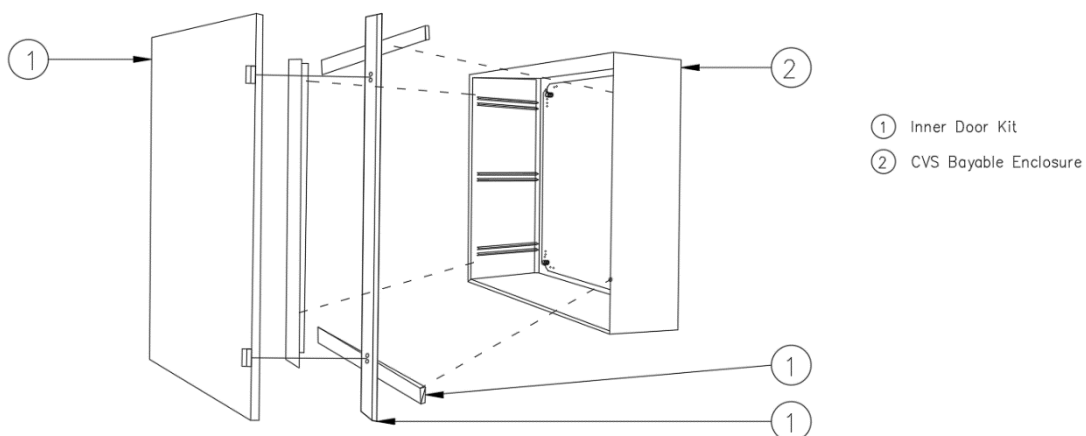


Inner Door Kits to suit Bayable Enclosures

- Adaptable for CVS Bayable Enclosures
- Material: Mild Steel
- Finish: RAL7032 (Epoxy Power Coated)
- Inner Doors also available for double door enclosures
- Compact installation
- Comes as a kit.
- Depth of the inner door is adjustable via fitted rails inside the enclosure

Part No.	Description
CVS MS ID206	Inner door kit to suit bayable 2000×600 Enclosure
CVS MS ID208	Inner door kit to suit bayable 2000×800 Enclosure
CVS MS ID2010	Inner door kit to suit bayable 2000×1000 Enclosure
CVS MS ID2012	Inner door kit to suit bayable 2000×1200 Enclosure

Informational Drawing

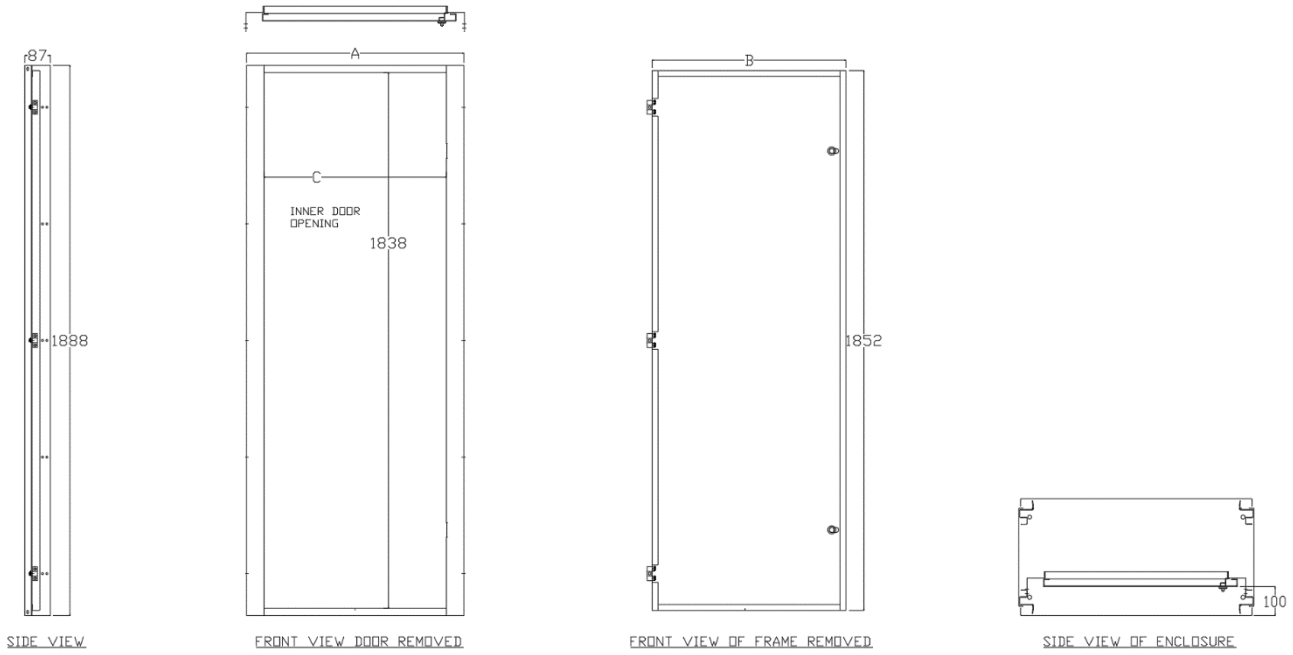


Catalogue number: **CVD MS ID**□□□□

Inner Door Kits to suit Bayable Enclosures

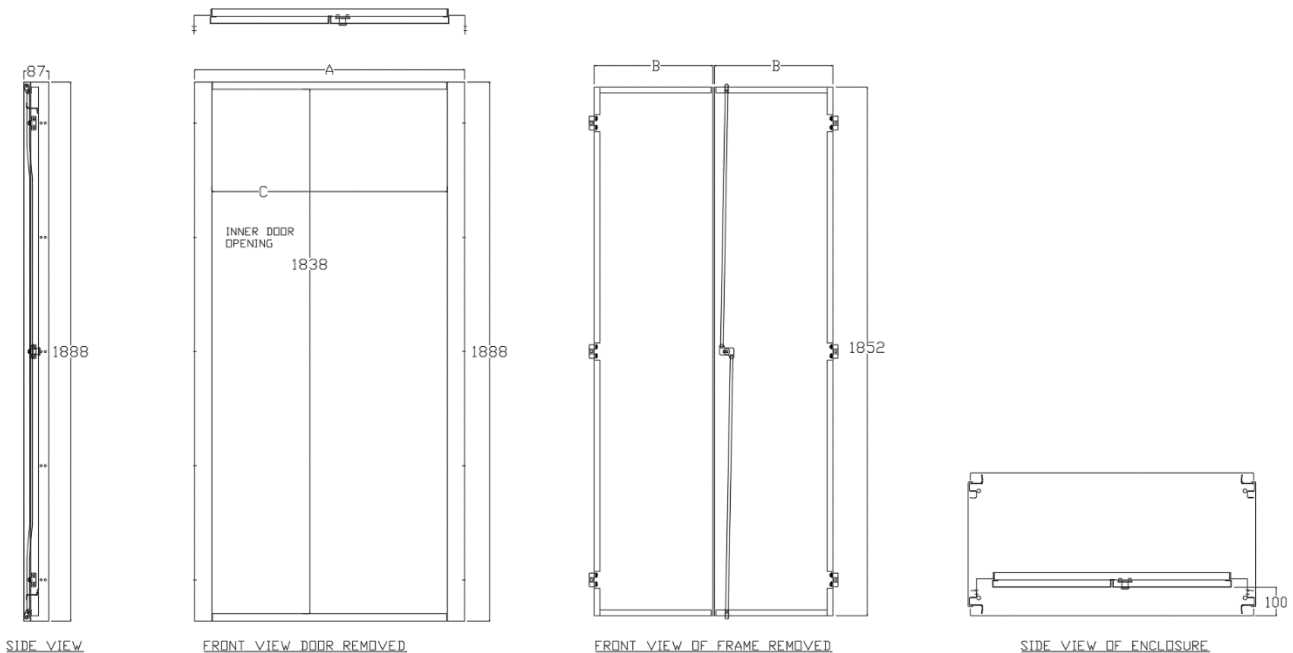


Dimensions for CVS EUR ID206/208



Part No.	A	B	C
CVS MS ID206	546	465	426
CVS MS ID208	746	665	626

Dimensions for CVS EUR ID2010/2012



Part No.	A	B	C
CVS MS ID2010	946	415.5	826
CVS MS ID2012	1146	515.5	1026



N.A.W. Controls Pty. Ltd.
 Telephone: (03) 9464 6555
www.nawcontrols.com.au

Inner Door Kits to suit Bayable Enclosures
 September 2020